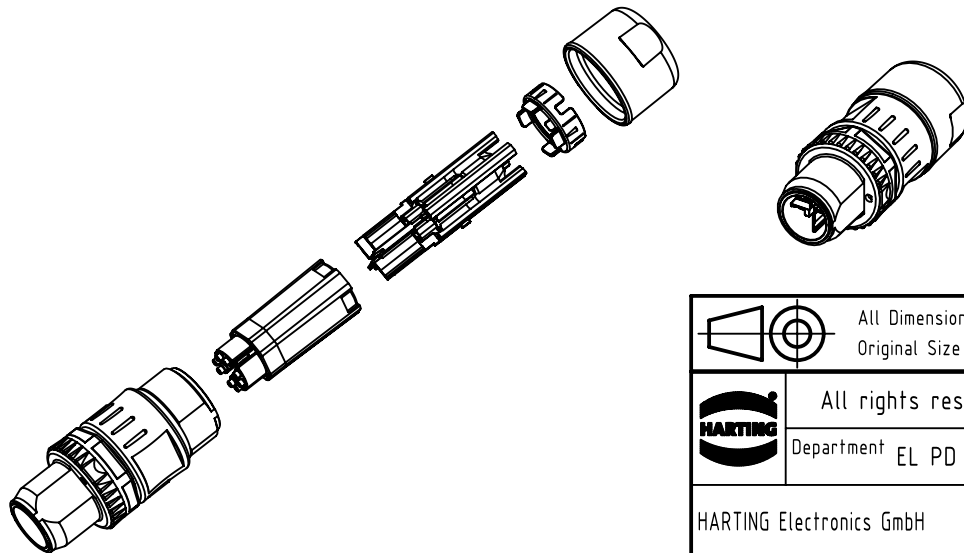


order contacts separately

wire gauge	part-no contact
AWG 23-26	21 01 100 9019
AWG 24-28	21 01 100 9014



	All rights reserved Department EL PD	All Dimensions in mm Original Size DIN A4		Scale 1:1	Free size tol.		Ref.	
		Created by BALSAN	Inspected by FARCASIU	Standardisation 302077	Date 2020-10-16	State Final Release		Sub.
HARTING Electronics GmbH D-32339 Espelkamp		Title M12 SD X-cod 8-pol Crimp Flange male					Doc-Key / ECM-Nr. 100761231/UGD/000/C 500000179711	
		Type TB	Number 21038811807			Rev. C	Page 1/1	